

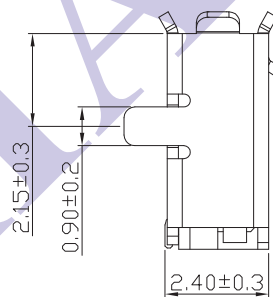
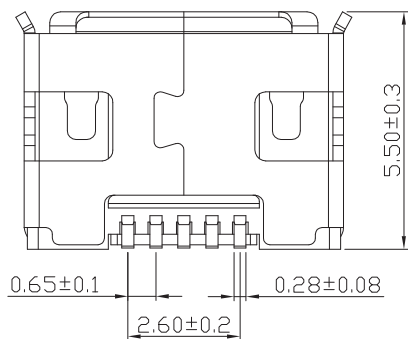
RECOMMENDED PCB LAYOUT

**MATERIALS:**

1. Housing: LCP (UL 94V-0),
2. Contact: Brass, Gold Plated on Contact Area  
Sn Plated on Solderails  
Nickel Under Plated Over All
3. Shell: SPCC, Nickel Plated Or Sn Plated  
Or Gold Plated

**SPECIFICATION:**

1. Contact Current Rating: 1 Amp
2. Dielectric Withstanding Voltage: AC 250V r.m.s.
3. Insulation Resistance: 100mΩ Min. AC 100V
4. Contact Resistance: 30 Milliohm Max.
5. Operating Temperature: -25°C to 85°C



僅供參考

**XIAN YI PRECISION CO., LTD.**  
祥益精密股份有限公司

TITLE / 品名: Micro USB 2.0 Right Angle 5 Pin Female AB Type Dip

核準發行章

PART NO / 料號: U-KB01-037

APPROVE / 核準	CHECKED / 審查	DRAWING / 繪圖	DRAWING NO / 圖號	UNIT / 單位		GENERAL TOLERANCE					
<i>Peter Huang</i>	<i>James</i>	<i>Chenrong</i>	KB01-037	mm	SHEET 1 OF 1	X ±0.50 .X ±0.38 .XX ±0.20 .XXX ±0.10	A.0	圖面發行	2011/07/07		
							NO.	REV / 版本	修訂內容	日期	