

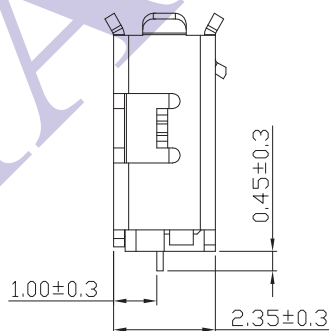
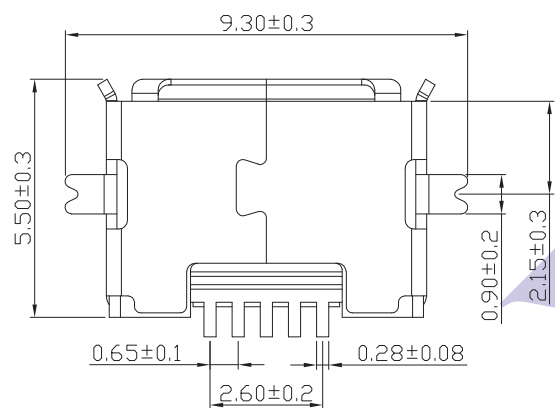
RECOMMENDED PCB LAYOUT

**MATERIALS:**

1. Housing: LCP (UL 94V-0),
2. Contact: Brass, Gold Plated on Contact Area  
Sn Plated on Solderails  
Nickel Under Plated Over All
3. Shell: SPCC, Nickel Plated Or Sn Plated  
Or Gold Plated

**SPECIFICATION:**

1. Contact Current Rating: 1 Amp
2. Dielectric Withstanding Voltage: AC 250V r.m.s.
3. Insulation Resistance: 100mΩ Min. AC 100V
4. Contact Resistance: 30 Milliohm Max.
5. Operating Temperature: -25°C to 85°C



僅供參考

**XIAN YI PRECISION CO., LTD.**  
祥益精密股份有限公司

TITLE / 品名: Micro USB 2.0 Right Angle 5 Pin Female AB Type (沉板式)

核準發行章

PART NO / 料號: U-KB01-036

APPROVE / 核準	CHECKED / 審查	DRAWING / 繪圖	DRAWING NO / 圖號
Peter Huang	James	Chemrong	KB01-036

UNIT / 單位	⊕	⚡
mm	SHEET 1 OF 1	

GENERAL TOLERANCE  
X ±0.50  
.X ±0.38  
.XX ±0.20  
.XXX ±0.10

NO.	REV / 版本	圖面發行	日期
	A.0		2011/07/07
		修訂內容	