

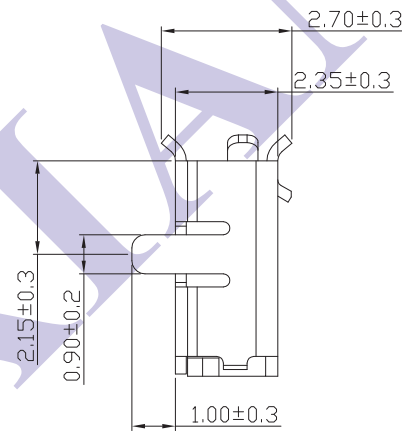
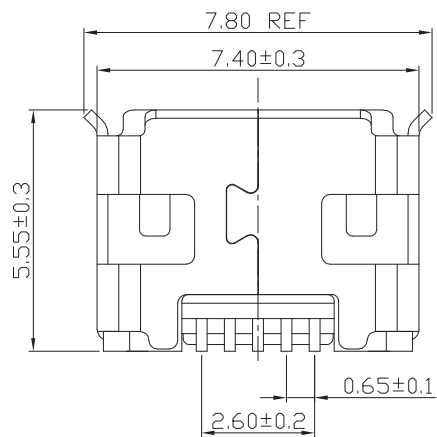
RECOMMENDED PCB LAYOUT

MATERIALS:

1. Housing: LCP (UL 94V-0),
2. Contact: Brass, Gold Plated on Contact Area
Sn Plated on Solderails
Nickel Under Plated Over All
3. Shell: SPCC, Nickel Plated Or Sn Plated
Or Gold Plated

SPECIFICATION:

1. Contact Current Rating: 1 Amp
2. Dielectric Withstanding Voltage: AC 250V r.m.s.
3. Insulation Resistance: 100mΩ Min. AC 100V
4. Contact Resistance: 30 Milliohm Max.
5. Operating Temperature: -25°C to 85°C



僅供參考

XIAN YI PRECISION CO., LTD.
祥益精密股份有限公司

TITLE / 品名: Micro USB 2.0 Right Angle 5 Pin Female B Type Dip

核準發行章

PART NO / 料號: U-KB01-033

APPROVE / 核準	CHECKED / 審查	DRAWING / 繪圖	DRAWING NO / 圖號
Peter Huang	James	Cherong	KB01-033

UNIT / 單位	⊕	⚡
mm	SHEET 1 OF 1	

GENERAL TOLERANCE
X ±0.50
.X ±0.38
.XX ±0.20
.XXX ±0.10

NO.	REV / 版本	圖面發行	日期
	A.0		2011/07/07
		修訂內容	