

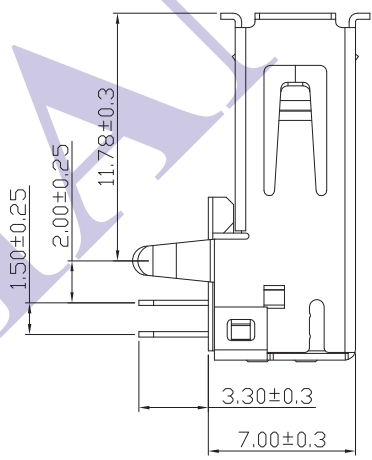
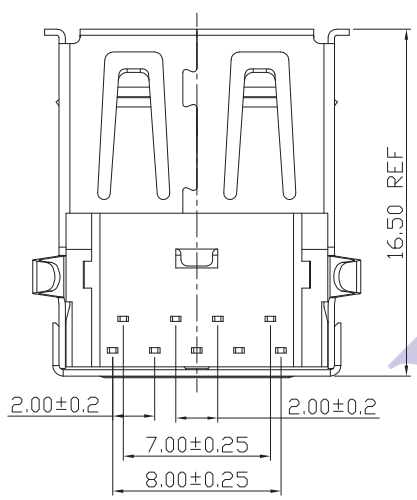
P.C.B. LAYOUT

MATERIALS

1. Housing: PBT (UL94V-0)
2. Contact: Brass, Gold Plated On Contact Area
Sn Plated On Solderails
Nickel Under Plated Over All
3. Shell: Brass Or SPCC, Nickel Plated Or Sn Plated

SPECIFICATION:

1. Contact Current Rating: 1.8 Amp
2. Dielectric Withstanding Voltage: AC 500V r.m.s.
3. Insulation Resistance: 500mΩ Min. at DC 250V
4. Contact Resistance: 30mΩ Max.
5. Operating Temperature: -20°C to 80°C



僅供參考

XIAN YI PRECISION CO., LTD.
祥益精密股份有限公司

TITLE / 品名: USB 3.0 Right Angle 09 Pin Female A Type Dip 核準發行章

PART NO / 料號: U-KB01-023		△			
		△			
		△			
NO.	REV / 版本	A. 0	圖面發行	2011/07/07	
		修訂內容		日期	

APPROVE / 核準	CHECKED / 審查	DRAWING / 繪圖	DRAWING NO / 圖號	UNIT / 單位	SHEET 1 OF 1
Peter Huang	James	Chenrong	KB01-023	mm	

GENERAL TOLERANCE
X ±0.50
.X ±0.38
.XX ±0.20
.XXX ±0.10